

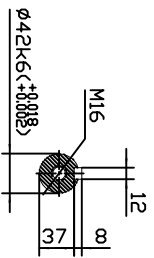
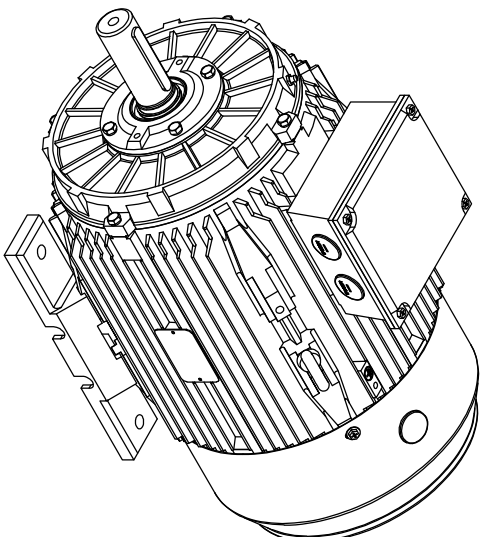
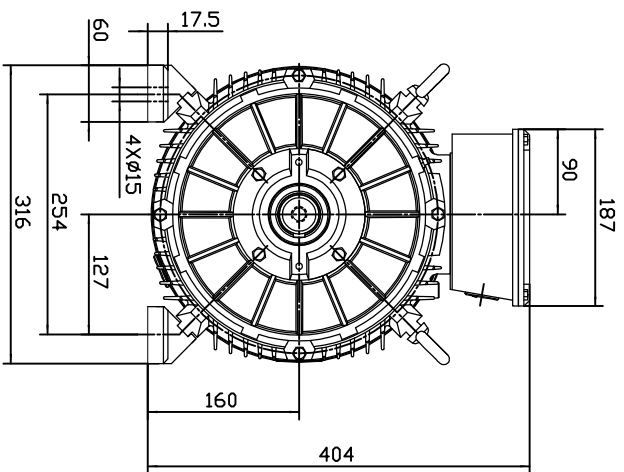
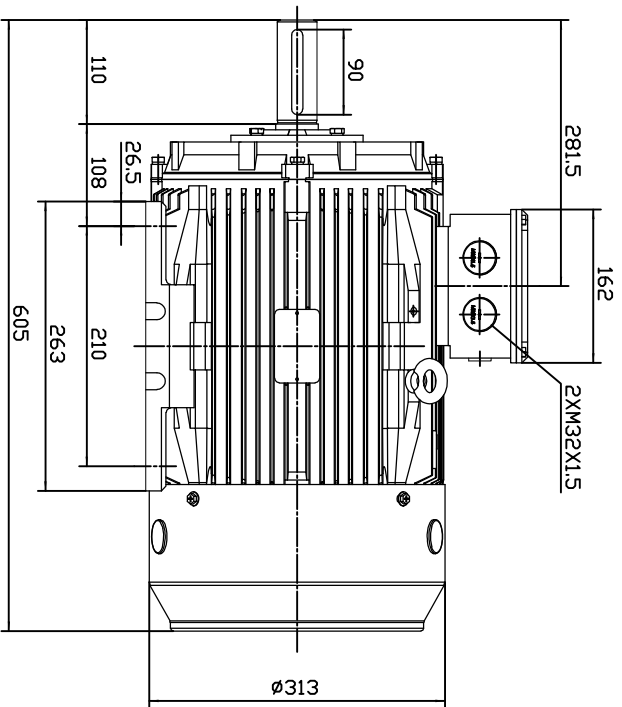
ECOL MOTOR
MODEL D1S 160M2-2
TECHNICAL DATA SHEET

General Data	
Frame size	160
Housing material	Casting iron
Install model	According to the standard
Type of feet	Removable feet (Standard) Fixed feet (Optional)
Net weight	122 kg
Insulation class	F (Standard)
	H (Optional)
Protection degree	IP 55 (Standard)
	IP 56 (Optional)
Thermal protection	Without (Standard)
	Customizable (Optional)
Rotation direction	Clockwise (Standard)
	Counter clockwise (Optional)
Service duty	S1
Vibration level	A
Balance	Half-key balanced
Cable glands	2 - M32× 1.5
Cooling	IC 411
Painting color	RAL 7024 (Standard)
	Customizable (Optional)
Regulations	IEC / DIN / ISO / VDE / EN
Standard	IEC 60034

Environmental conditions	
Ambient temperature	From -20°C to +40°C
Maximum altitude	1000 m above sea level

Electrical Data		
Output	15	kW
Frequency	50	Hz
Voltage (±5%)	400	V Δ @ 50Hz
	690	V Y @ 50Hz
	480	V Δ @ 60Hz
	828	V Y @ 60Hz
Rotation speed	2910	RPM @ 50Hz
	3492	RPM @ 60Hz
Rated current	28.06	A (In) @ Δ 50Hz
	16.2	A (In) @ Y 50Hz
Starting current	7.5	xIn
Rated torque	49.23	Nm (Mn)
Starting torque	2.2	xMn
	2.3	xMn
Efficiency	IE1	
	88.7	@ 100% load
	90	@ 75% load
	88.1	@ 50% load
Power factor cosφ	0.87	@ 100% load

Mechanical Data		
Bearings brand	C&U	(Standard)
	Customizable	(Optional)
Bearings type	6309 C3	(DE)
	6309 C3	(NDE)
Lifetime of bearings		- hours
Allowed radial load		1403 N
Allowed axial load		21200 N
Grease type	polyurea-based grease	
Lubrication interval of NDE bearing		12000 h
Lubrication interval of DE bearing		12000 h
Moment of inertia	0.053840	Kg*m ²
Noise level	86	dB(A)



DS 160M B3

DS 160M B3 MOUNT		1HMV 010.T043B	
DESSUN MOTOR DIS SERIES		RATE	1:4
20250101			